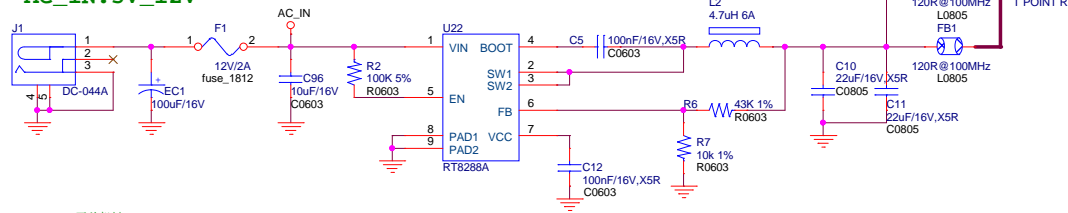
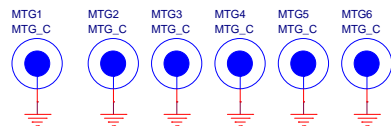
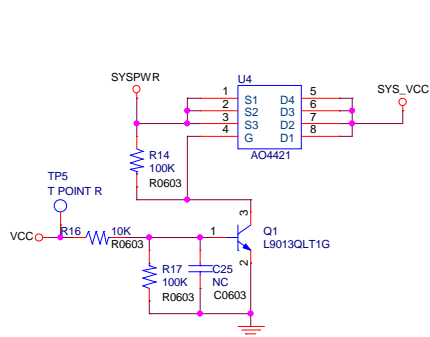
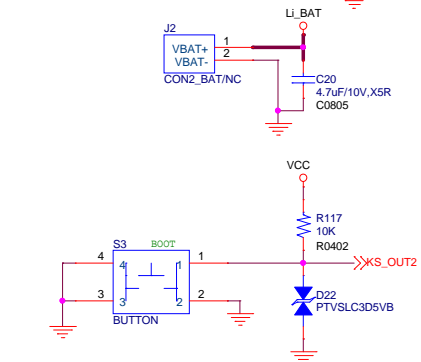
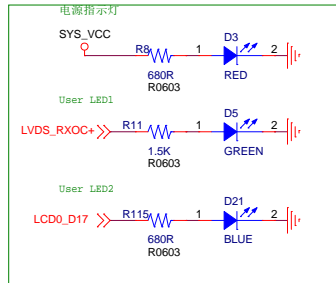
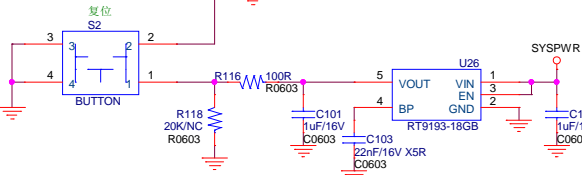
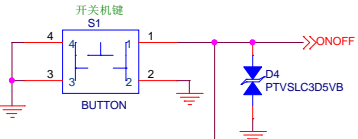


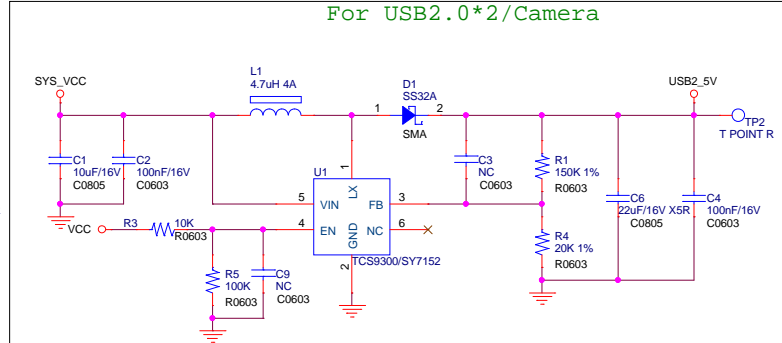
AC_IN:5V_12V



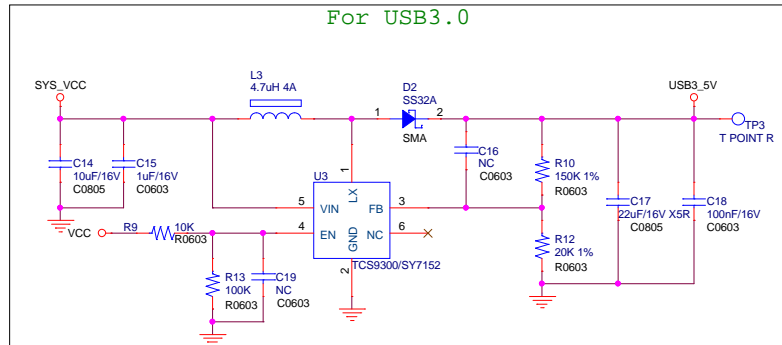
$$Vo = 0.808 * (10 + 43) / 10 = 4.28V$$



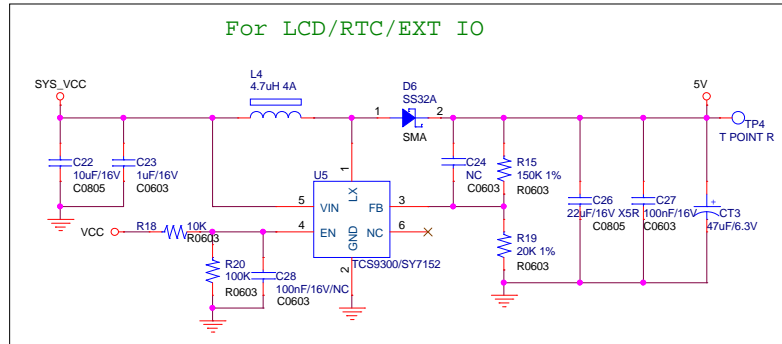
For USB2.0*2/Camera

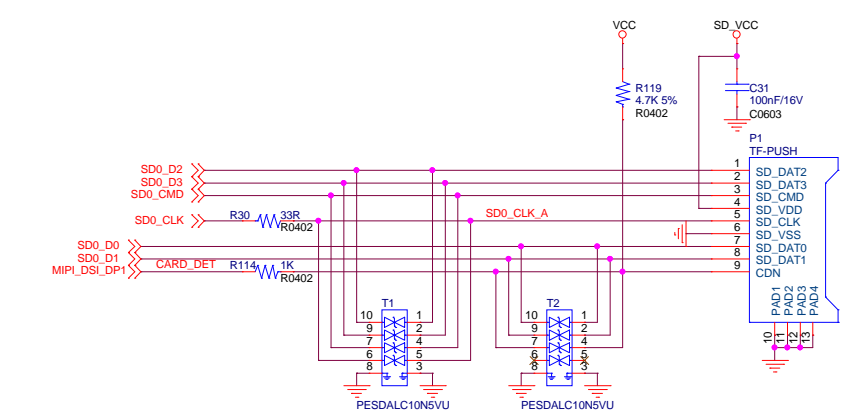
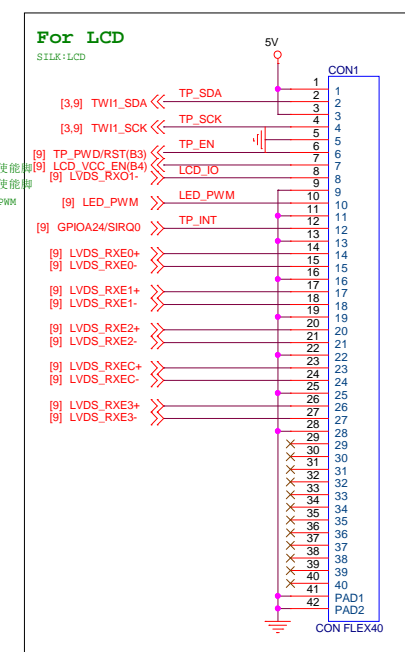
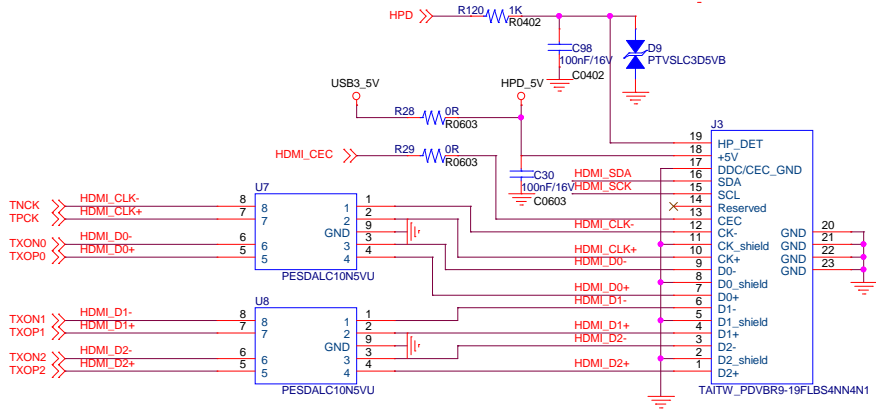
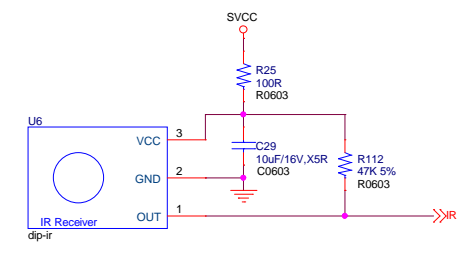
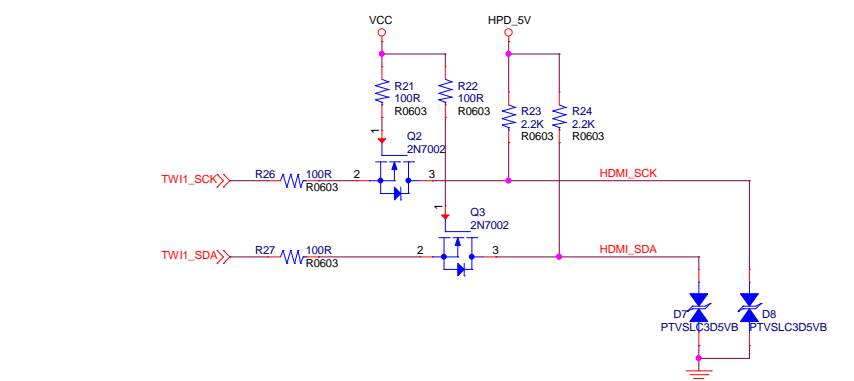


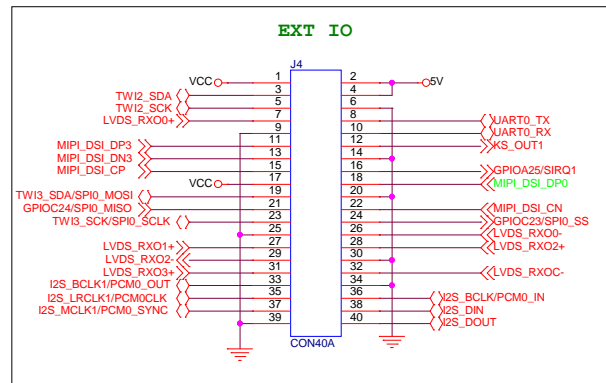
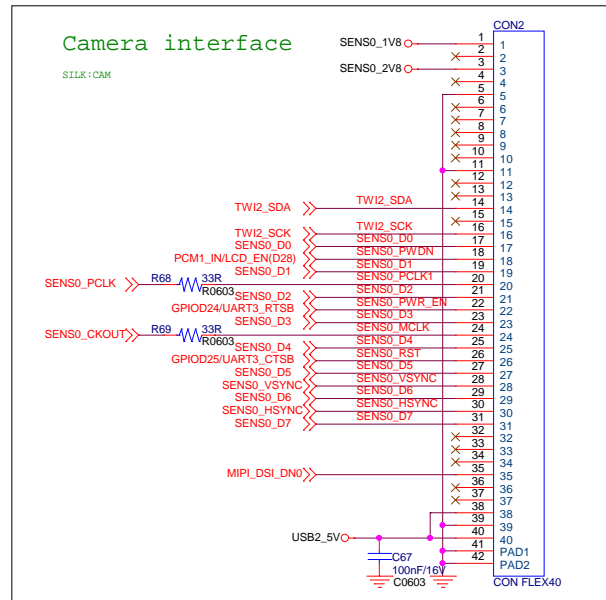
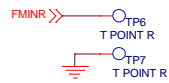
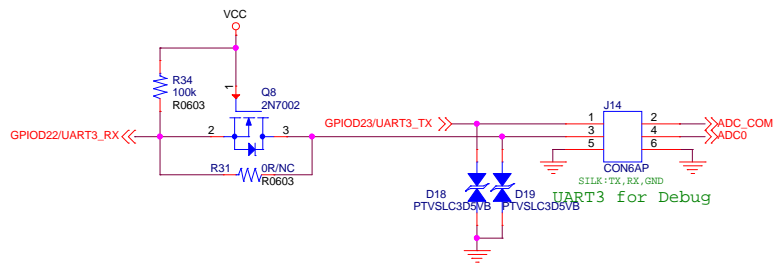
For USB3.0

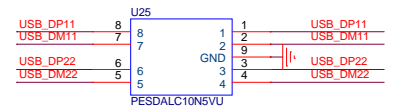
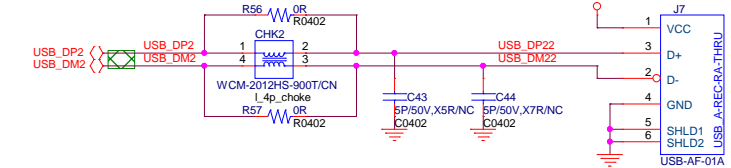
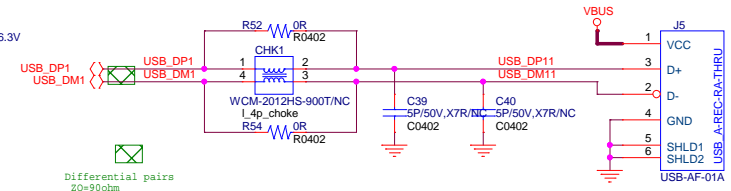
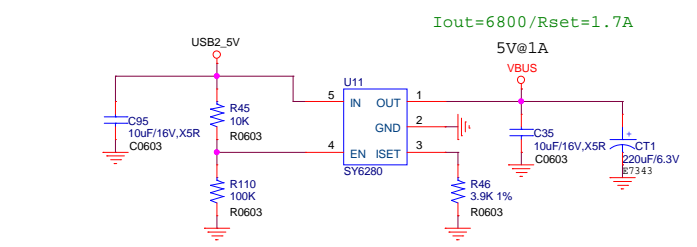
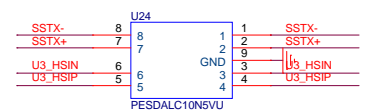
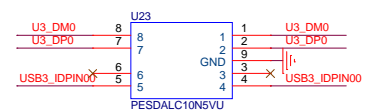
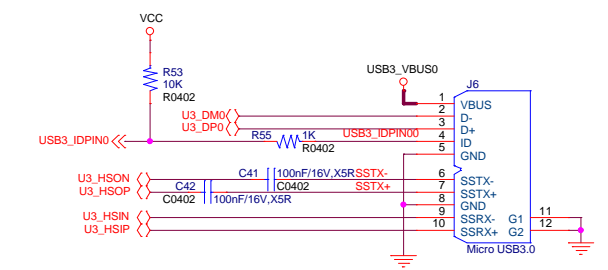
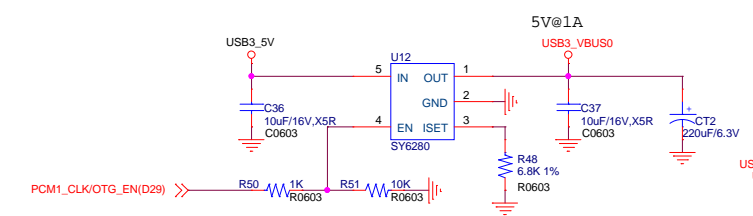
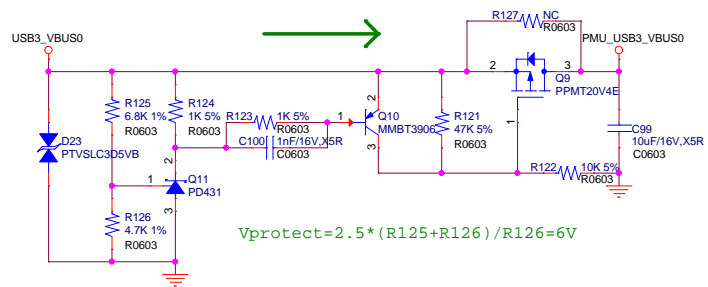


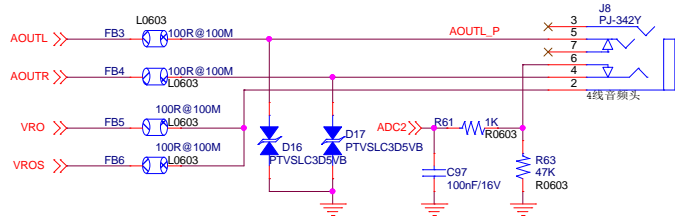
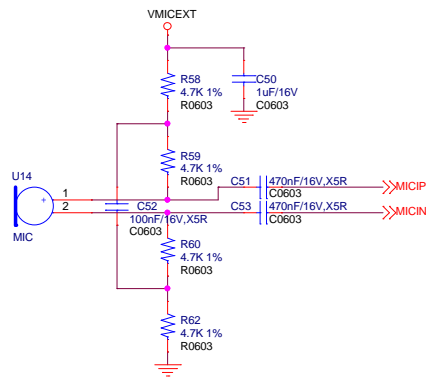
For LCD/RTC/EXT IO











WIFI_BT

