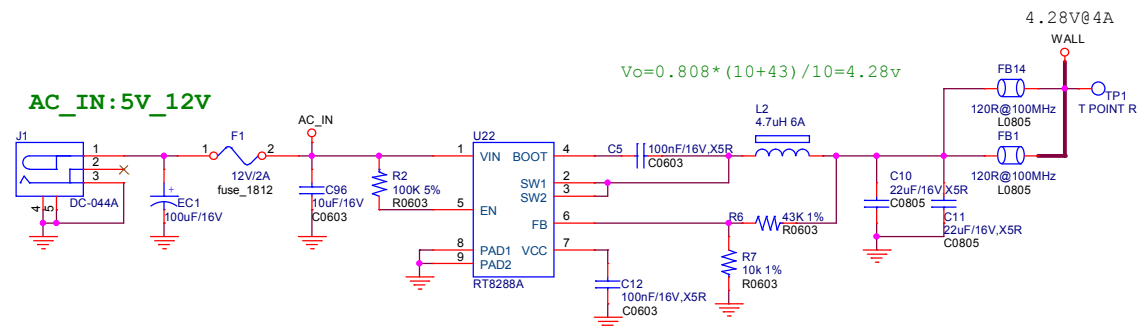


Revision	Date	Description
Rev 1.0	2015-07-06	第一版
Rev 2.0	2015-08-04	
Rev 3.0	2015-09-01	

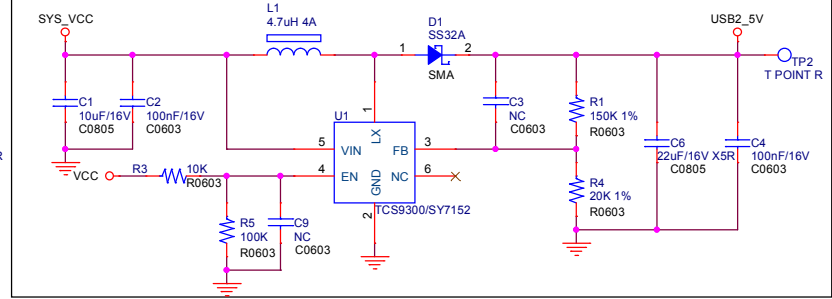
Table of Contents		Part Reference	
Page	Function	<Prefix>	<Name>
P01	Revision history	U	: Component or Regurator IC
P02	Power	C	: Capacitor
P03	HDMI/LCD/TF/IR	L	: Inductor
P04	Camera/IO	R	: Resistor
P05	USB	RN	: Resistor Networks
P06	Audio	D	: Diode
P07	WiFi	Q	: Transistor or FET
P08	PHY	X	: X-tal (Crystal)
P09	SODIMM 204P	M	: Module
		SW	: SWitch Tact/Push
		FB	: Ferrite Bead
		CON	: Connector
		LED	: LED Diode
		TP	: Test Point (SMD)
		CT	: Capacitor Tantal
		EC	: Electrolytic Capacitor

AC_IN:5V_12V

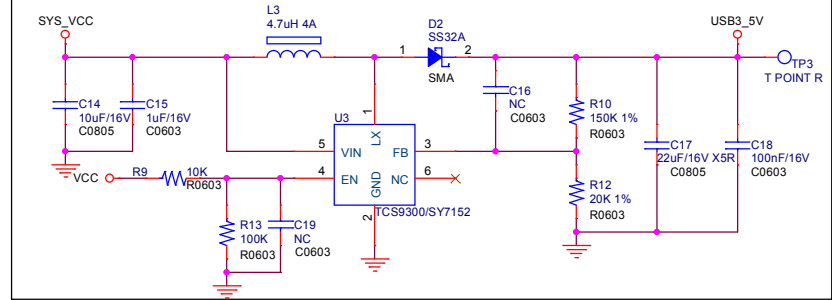
$$V_o = 0.808 * (10 + 43) / 10 = 4.28V$$



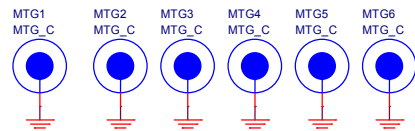
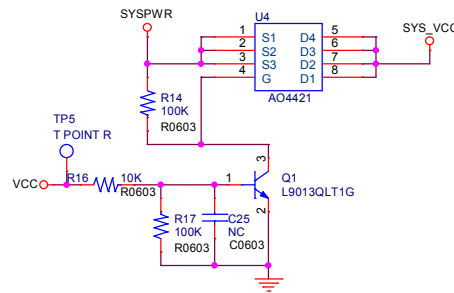
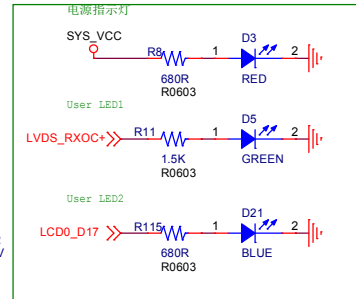
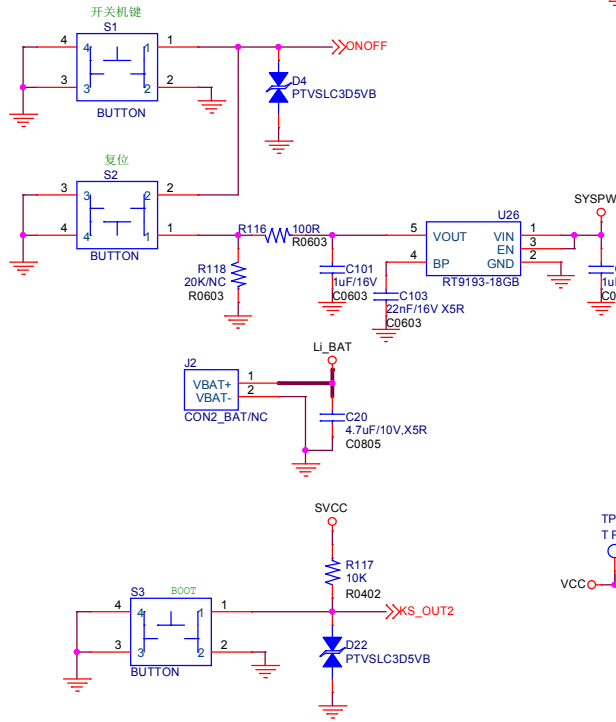
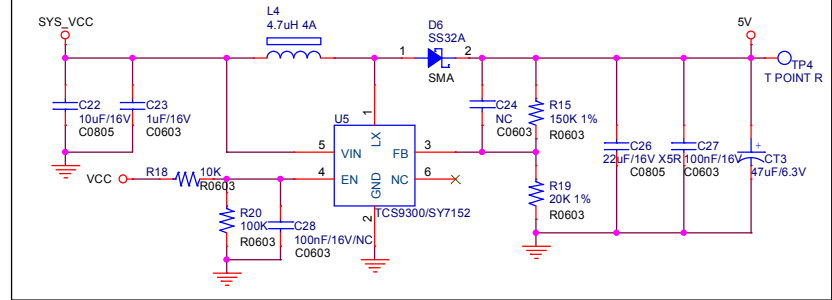
For USB2.0*2/Camera

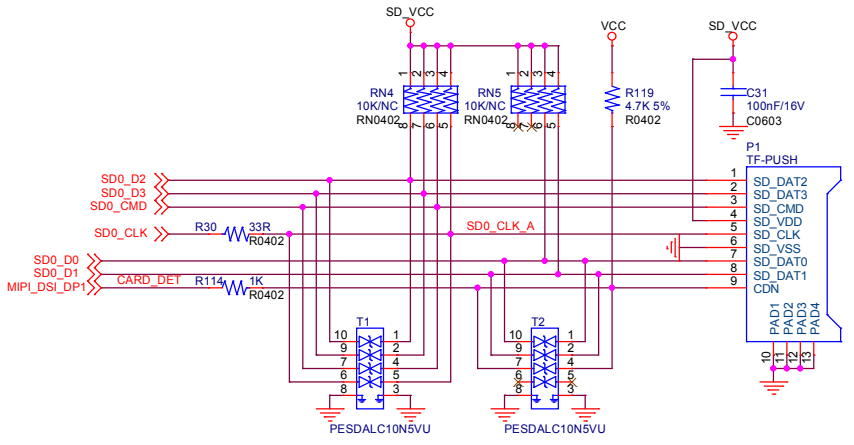
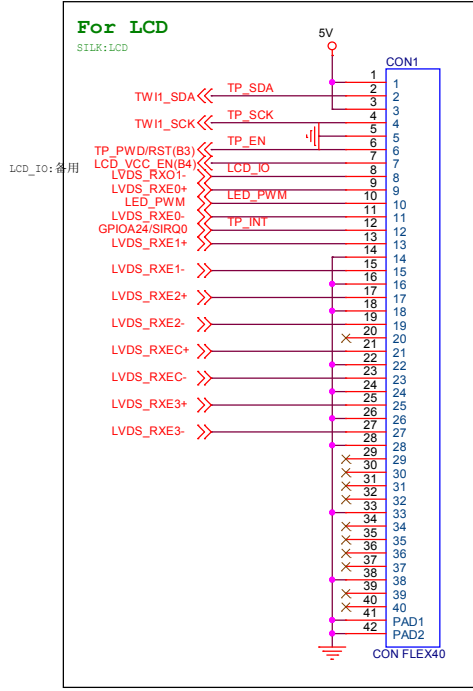
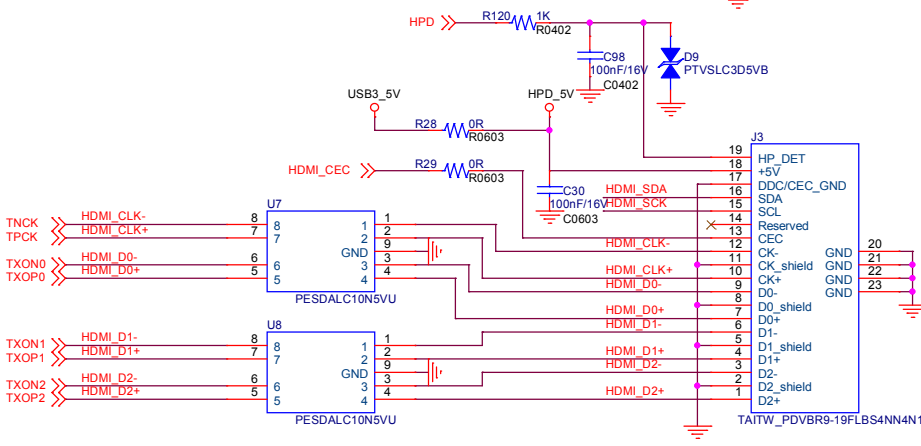
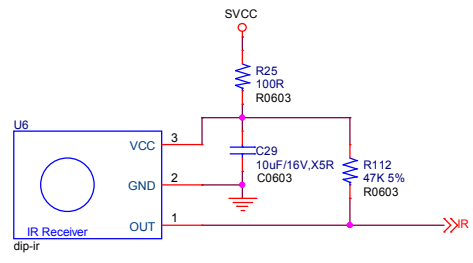
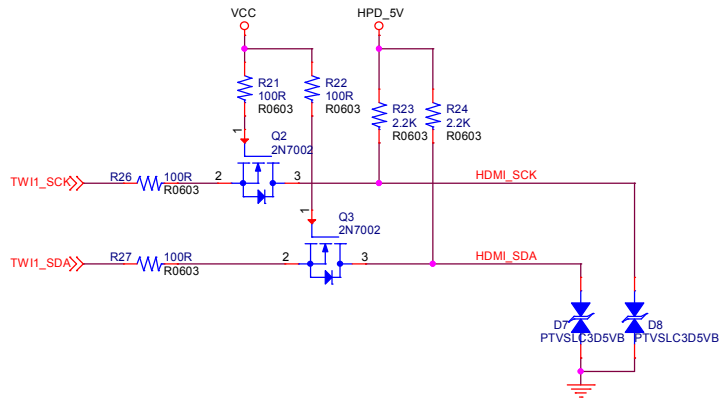


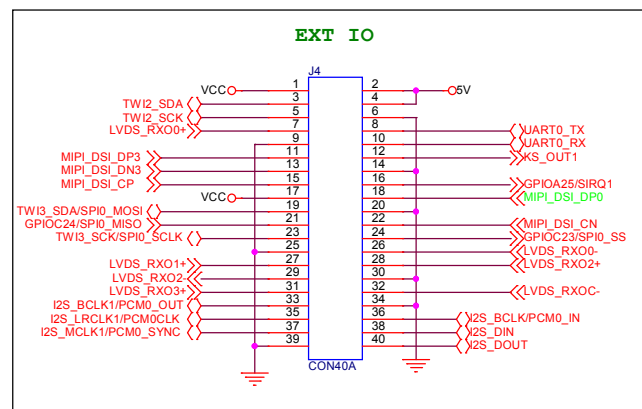
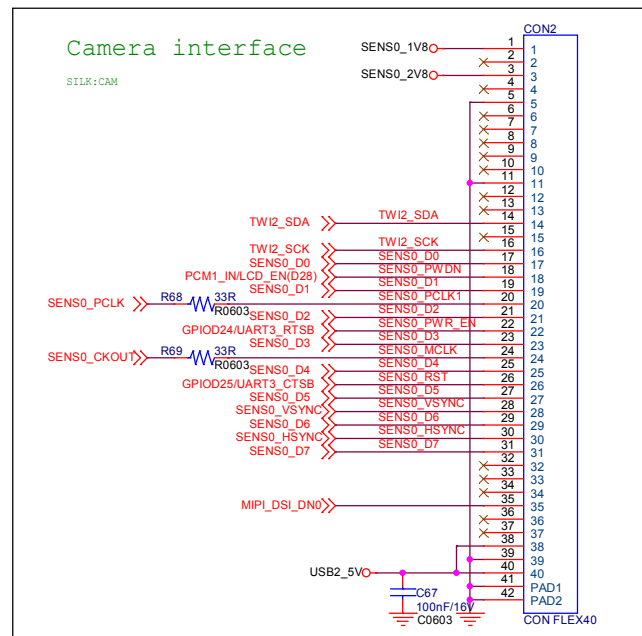
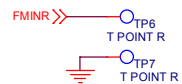
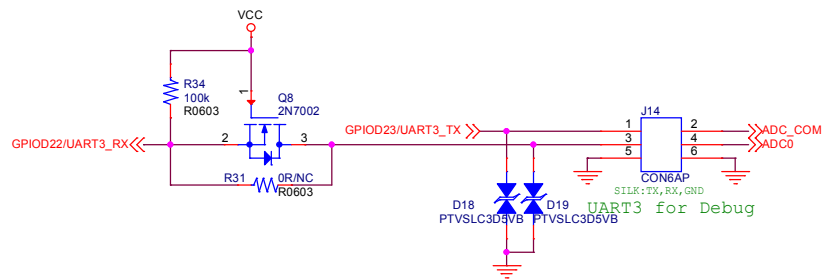
For USB3.0

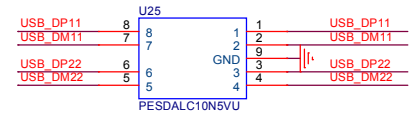
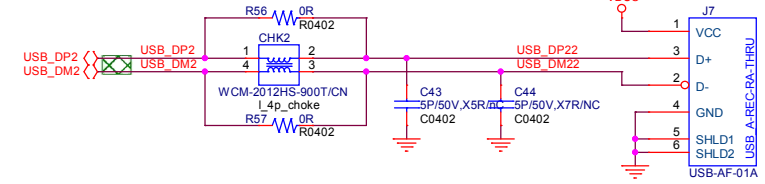
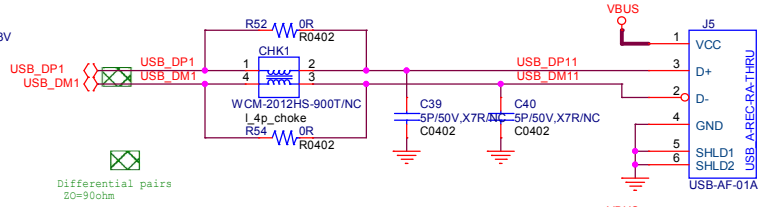
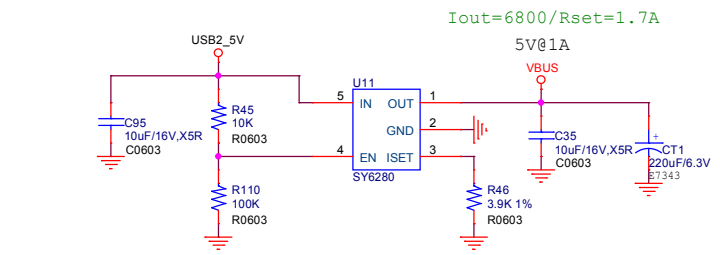
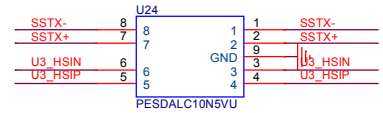
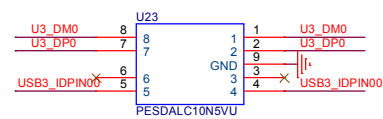
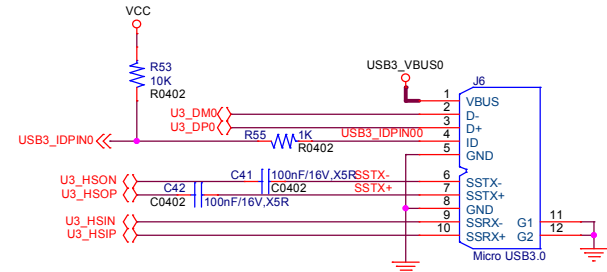
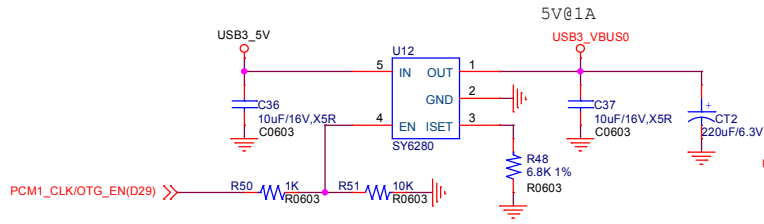
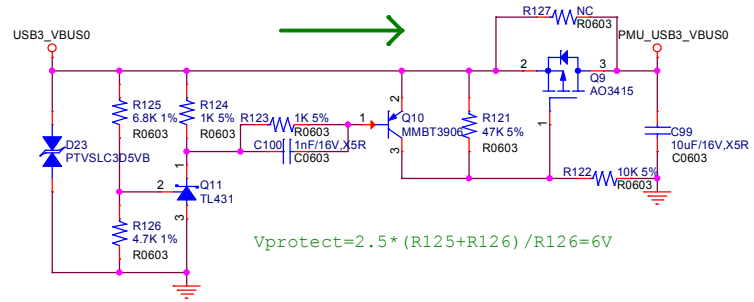


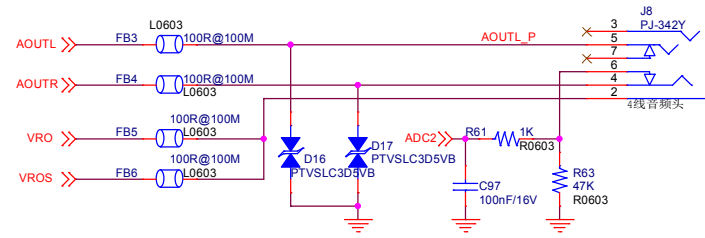
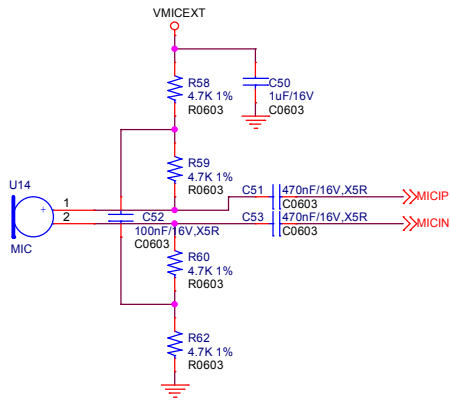
For LCD/RTC/EXT IO



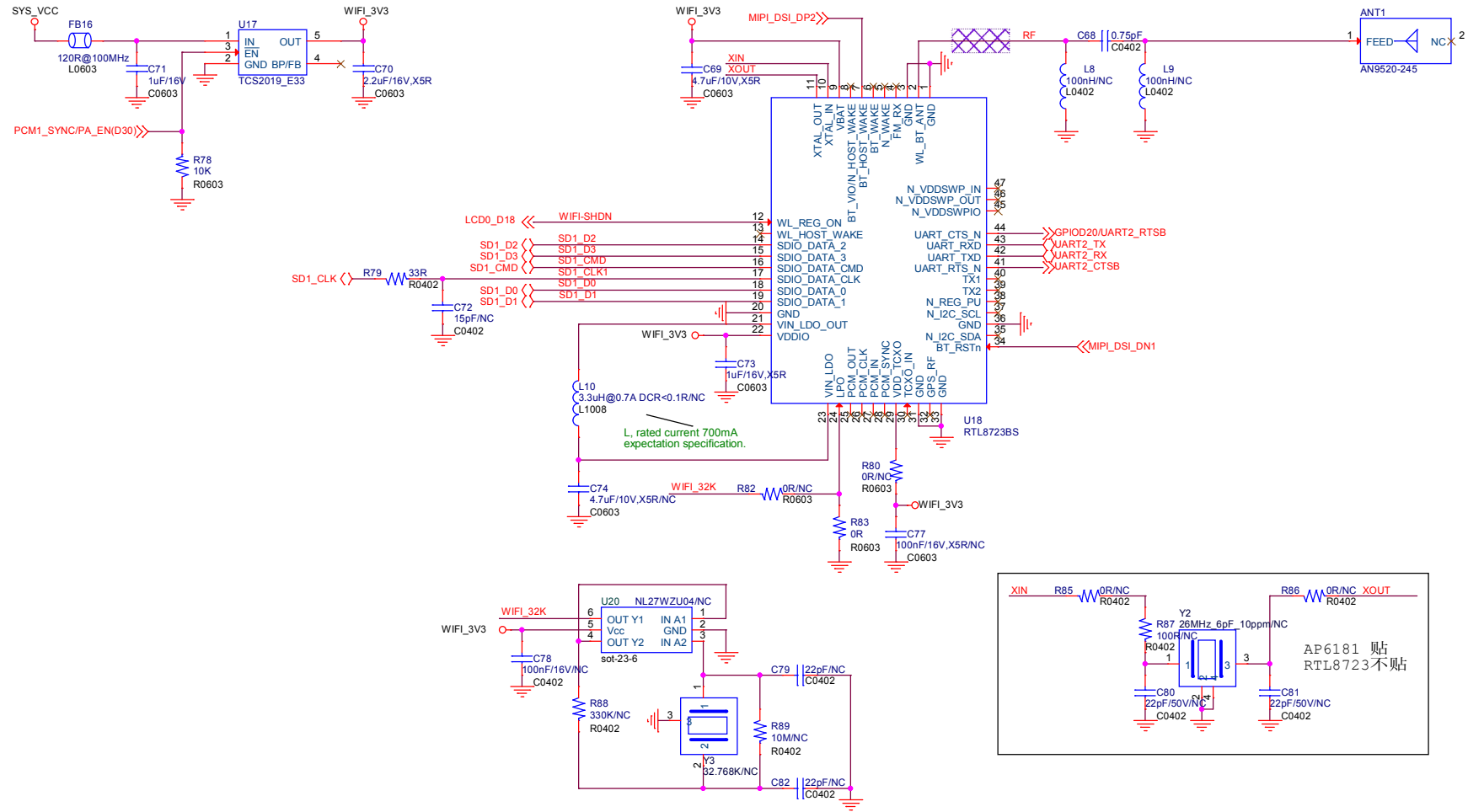


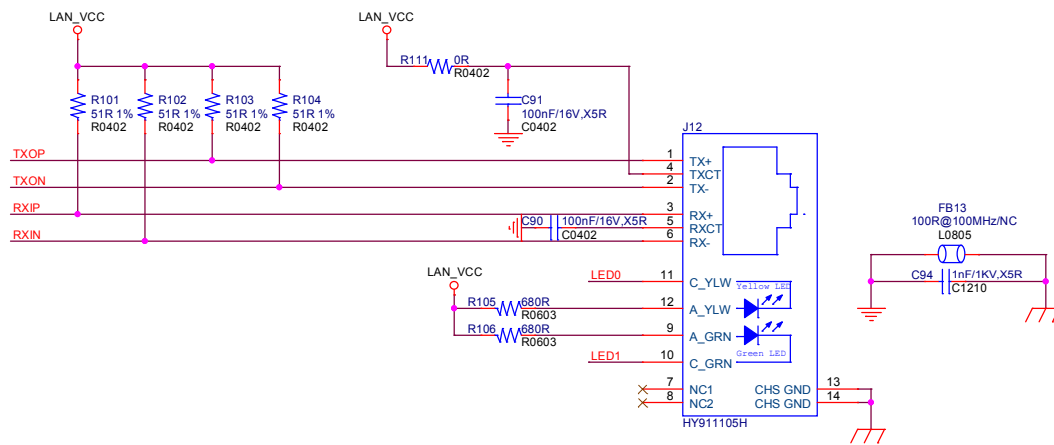
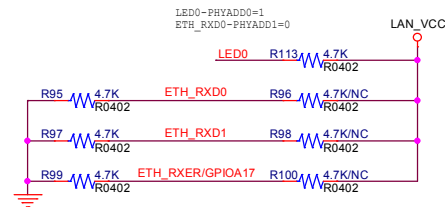
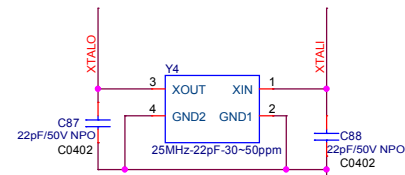
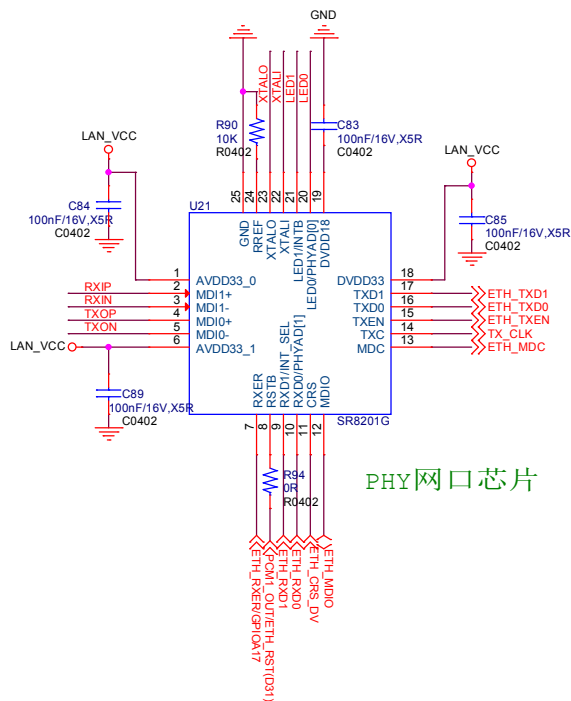
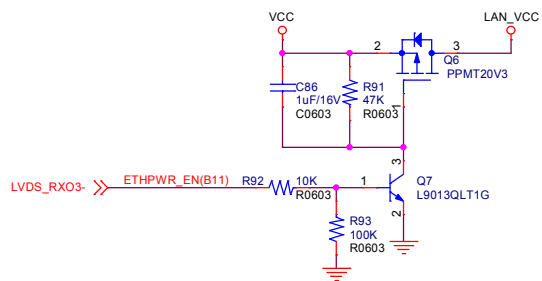







WIFI_BT

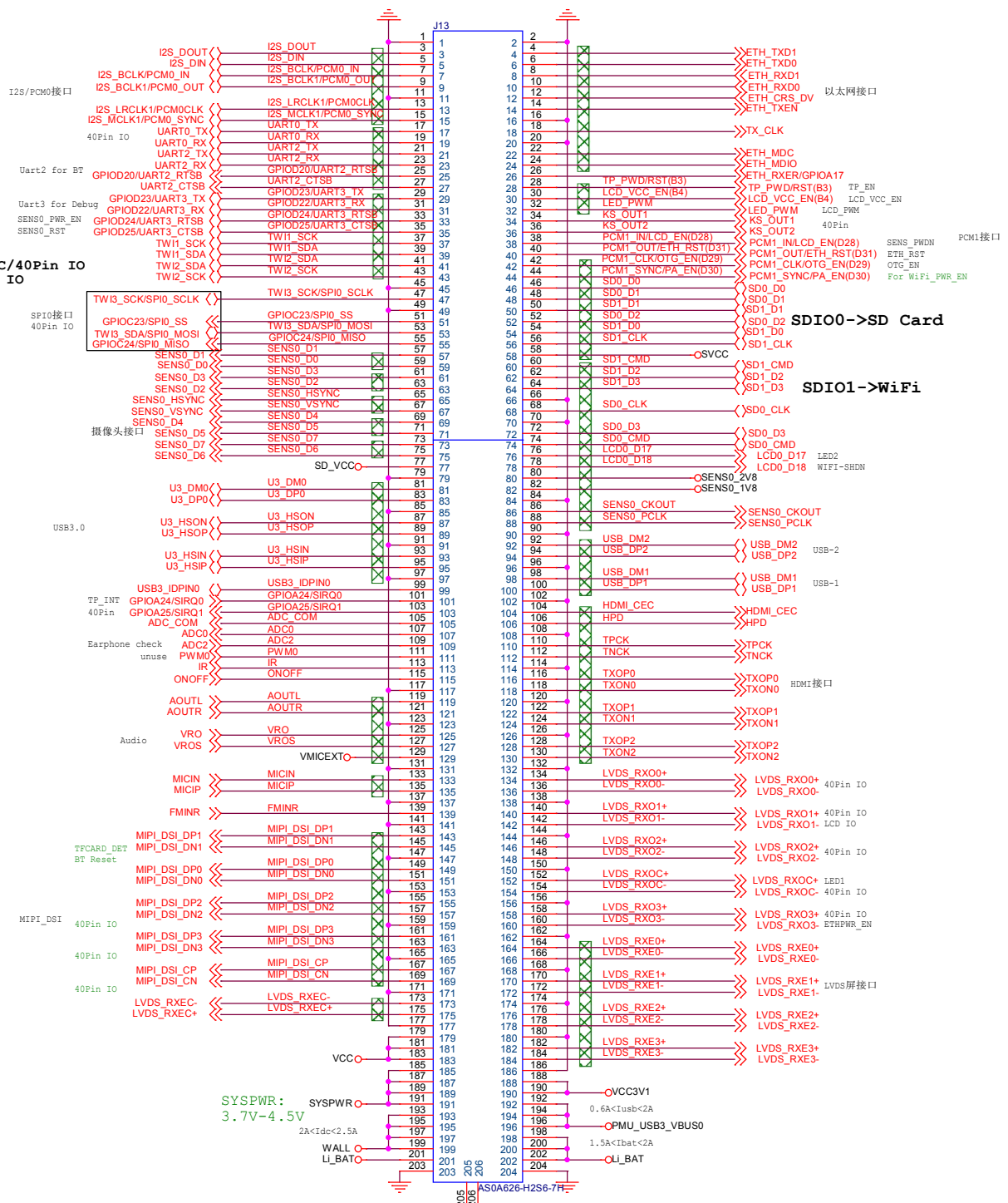




TWI1-TP/HDMI
TWI2-Camera/RTC/40Pin IO
TWI3 For 40Pin IO

TP8  **PWM0**
 T POINT R

SYSPWR:
 3.7V-4.5V



SDIO0->SD Card

SDIO1->WiFi


OSVCC

OSENS0_2V8

OSENS0_1V8

HDMI接口

LVDS屏接口

 **LEMAKER**
 www.lemaker.org **LeMaker -- Innovations that Enrich People's Lives**

Title Lemaker Guitar		
Size A3	Document Number Power	Rev V3.0
Date: Wednesday, September 02, 2015	Sheet 9	of 9